

Technical Service Bulletin			
Edition: Final V2	TSB#: 301	Issue date: November 18, 2022	Page 1 of 3

Title: Traditional Espresso Manometer colour change

OLD Part – no longer available:	NEW Part – available instead:	For Machine Types:
PN 60000062 Manometer_D40_2.5Bar <i>(black faced version)</i>	PN 60000081 Manometer_D40_2.5Bar <i>(white faced version)</i>	Crem Espresso Lines: <ul style="list-style-type: none"> • Office LEVA – all versions • Carat – all versions • Monroc – all versions • Megacrem – Control versions • New Elegance – Control versions • G-10 – Control versions • Rosetta – All versions • Zircon – Control versions • Onyx – Control versions
PN 60000072 Manometer_D40_ W-Tube_16Bar <i>(black faced version)</i>	PN 60000082 Manometer_D40_ W-Tube_16Bar <i>(white faced version)</i>	
PN 60000065 Manometer_D60_2.5Bar <i>(black faced version)</i>	PN 60000065 Manometer_D60_2.5Bar <i>(white faced version)</i>	
PN 60000050 Manometer_D60_16-2.5Bar <i>(black faced version)</i>	PN 60000050 Manometer_D60_16-2.5Bar <i>(white faced version)</i>	
	PN 76100003 Double manometer kit. <i>(white faced version)</i>	

Implemented from first serial number:

August 2020

Change information:

To fully implement standardized colour matched parts across all machine lines, the manometer gauge face colours will all be white by default.

Backward compatibility:

This version is fully backward compatible for all machines using the part numbers above.

The double gauge manometer 60000050 has the kit PN76100003 which includes the copper tube for the pump connection.

Machines in the field:

Not affected.

Warranty information:

Machines which experience a failure while under warranty will be repaired using the part numbers listed above.

Spare part information:

The new part(s) will be the spare part(s) offered for all after sales services.

For double manometer only:

If the manometer replaces an old black screen version, it requires to add the reducer 30000009 to attach the tube properly to the pump fitting. The kit 76100003 includes both parts: manometer and reducer.

Technical Service Bulletin			
Edition: Final V2	TSB#: 301	Issue date: November 18, 2022	Page 2 of 3

Part improvements:

Old Version: PN 6000062	New Version: PN 6000081
 <p>Original design featured a black dial face.</p>	 <p>New part number with white dial face.</p>
Old Version: PN 6000072	New Version: PN 6000082
 <p>Original design featured a black dial face.</p>	 <p>New part number with white dial face.</p>
Old Version: PN 6000065	New Version: PN 6000065
 <p>Original design featured a black dial face.</p>	 <p>New part number with white dial face.</p>

Technical Service Bulletin			
Edition: Final V2	TSB#: 301	Issue date: November 18, 2022	Page 3 of 3

Old Version: PN 6000050 (rev. 03)



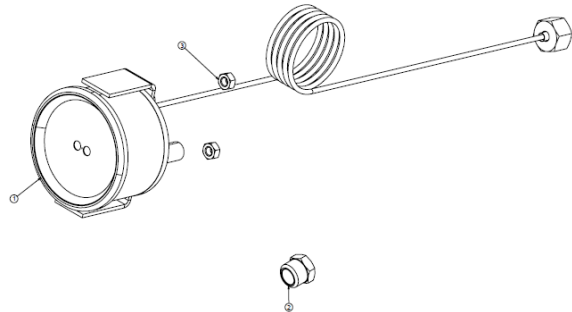
Original design featured a black dial face.

New Version: PN 6000050 (rev. 04)



New design features a white dial face and the copper tube for pump connection.

New Version: PN 7610003



Includes 6000050 + 3000009